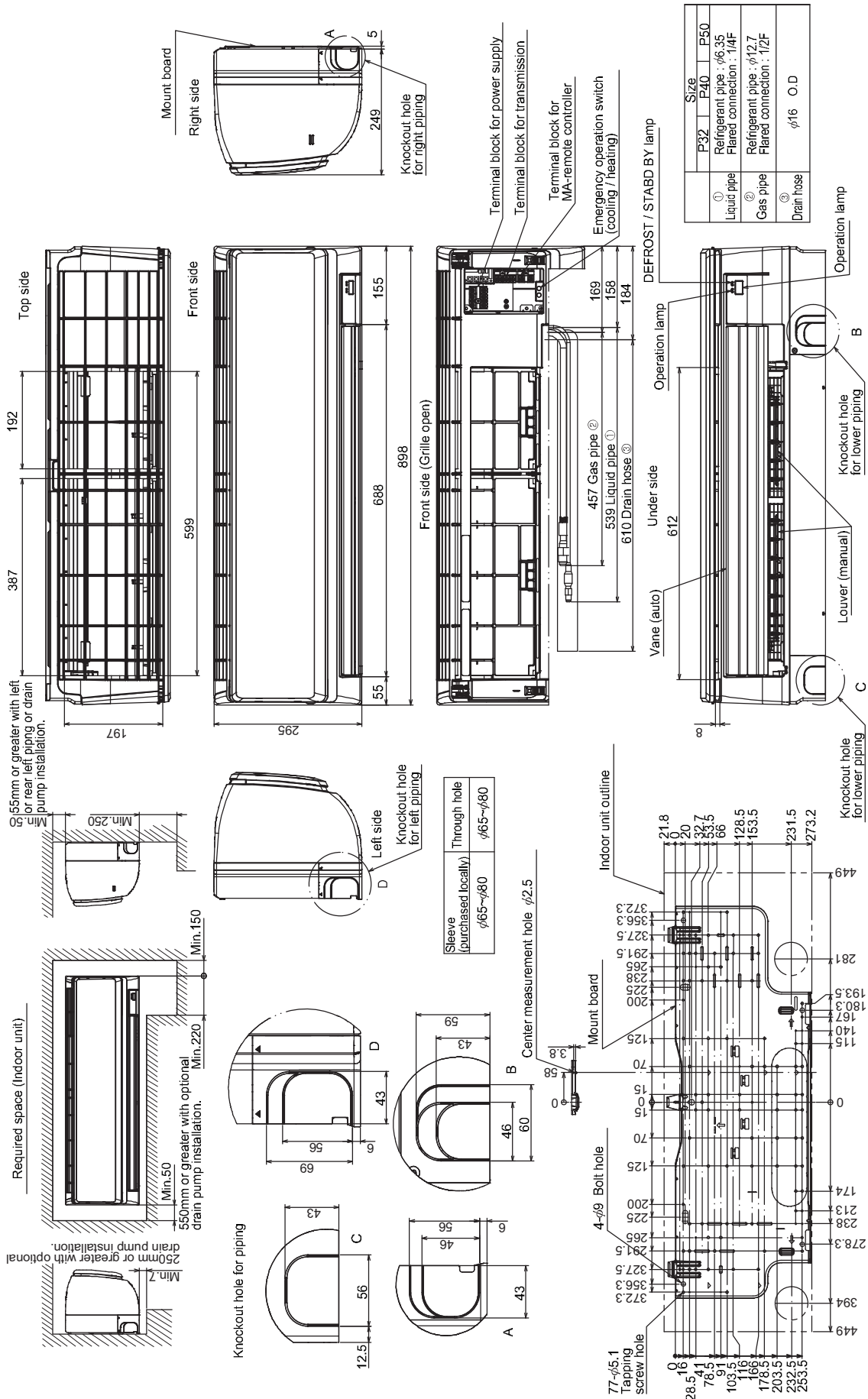


2. EXTERNAL DIMENSIONS

DATA G9

PKFY-P32, 40, 50VHM-E

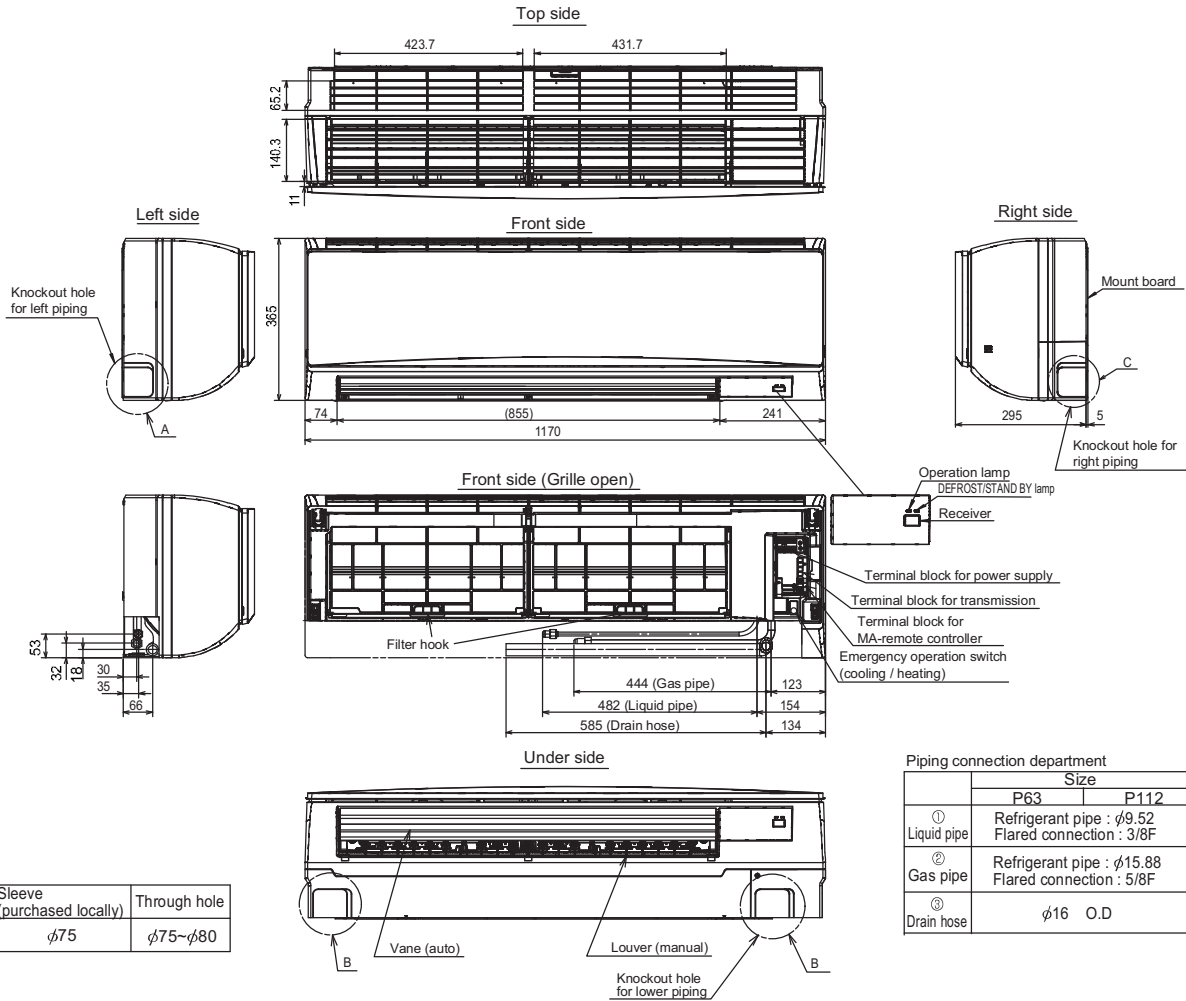
Unit : mm



PKFY

PKFY-P63, 100VKM-E

Unit : mm

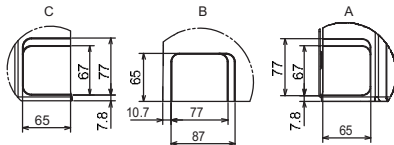


Sleeve (purchased locally)	Through hole
φ75	φ75~φ80

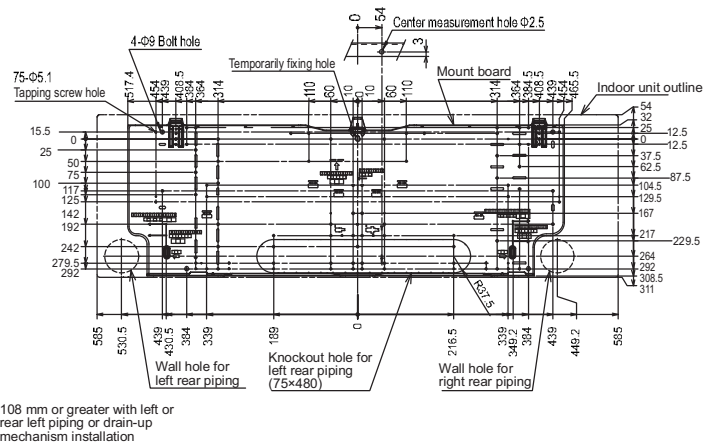
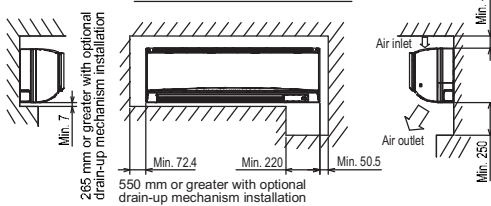
Piping connection department

	Size	
	P63	P112
① Liquid pipe	Refrigerant pipe : φ9.52 Flared connection : 3/8F	
② Gas pipe	Refrigerant pipe : φ15.88 Flared connection : 5/8F	
③ Drain hose	φ16 O.D	

Knockout hole for piping



Required space (Indoor unit)



108 mm or greater with left or rear left piping or drain-up mechanism installation

PKFY