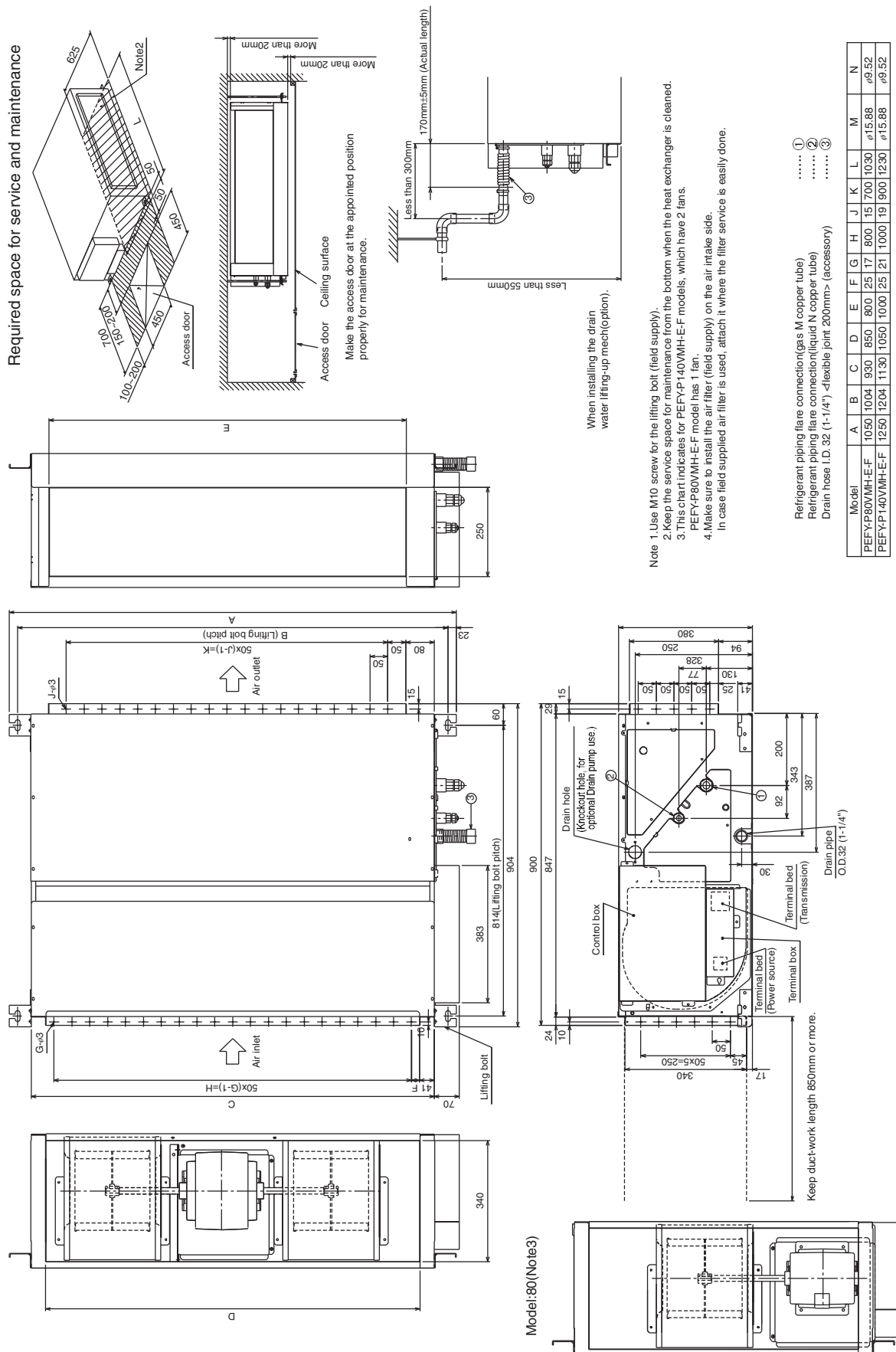


PEFY-P80,140VMH-E-F

Drw. : IU-W27-5926
Unit : mm

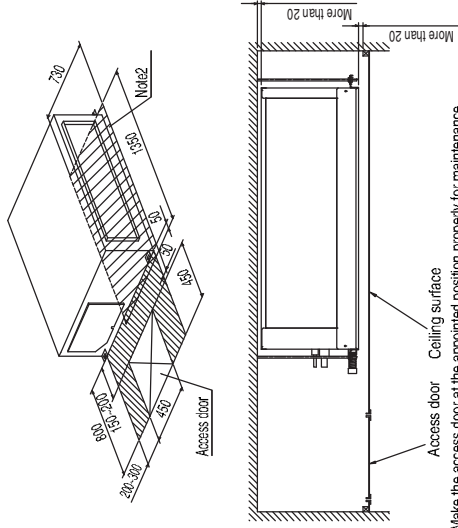


PEFY-E-F

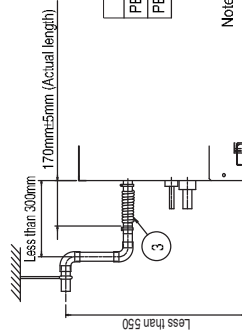
PEFY-P200,250VMH-E-F

Drw. : IU-W27-7653
Unit : mm

Required space for service and maintenance



When installing the drain water lifting-up mech(option).



Model	A	B
PEFY-P200VMH-E-F	ø19.05	ø9.52
PEFY-P250VMH-E-F	ø22.2	ø9.52

- Note 1. Use M10 screw for the lifting bolt (field supply).
 2. Keep the service space for maintenance from the bottom when the heat exchanger is cleaned.
 3. Make sure to install the air filter (field supply) on the air intake side.
 In case field supplied air filter is used, attach it where the filter service is easily done.

- ①
 ②
 ③

Refrigerant piping brazing connection (gas A copper tube)
 Refrigerant piping brazing connection (liquid B copper tube)
 Drain hose (I.D. 32 (1-1/4") <flexible joint 200mm> (accessory))

