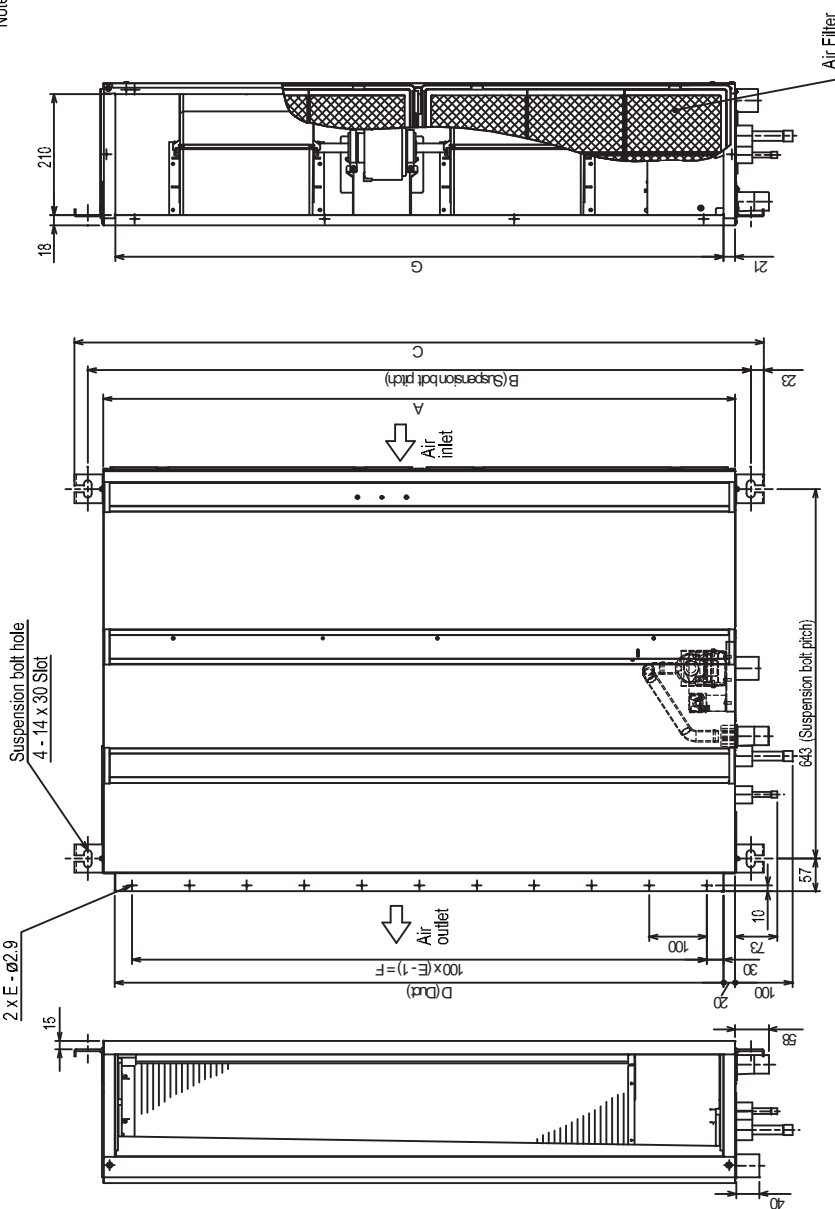


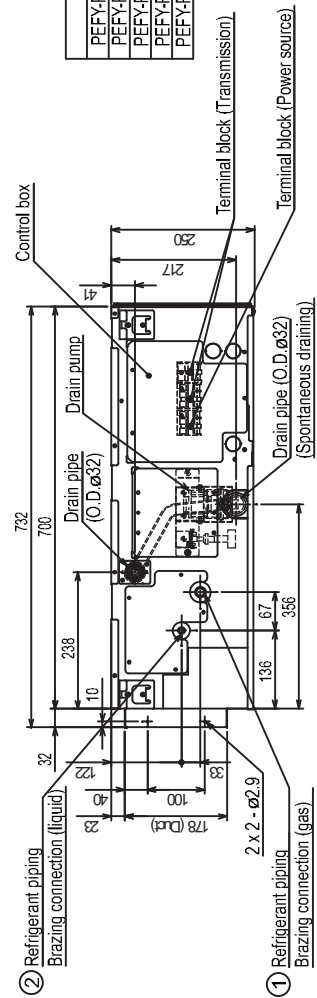
PEFY-P20, 25, 32, 40, 50, 63, 71, 80, 100, 125, 140VMA-E

Unit : mm

- Note 1. Use M10 screw for the Suspension bolt (field supply).
 2. Keep the service space for the maintenance at the bottom.
 3. This chart indicates for PEFY-P63-71-80-100-125-140VMA-E models, which have 2 fans. PEFY-P20-25-32-40-50VMA-E models have 1 fan.
 4. In case of the inlet duct is used, remove the air filter (supply with the unit), then install the filter (field supply) at suction side.

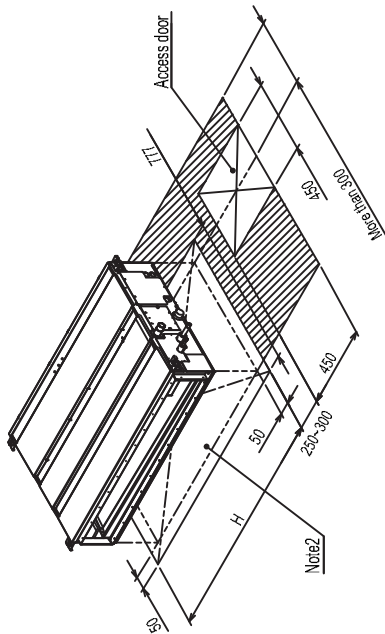
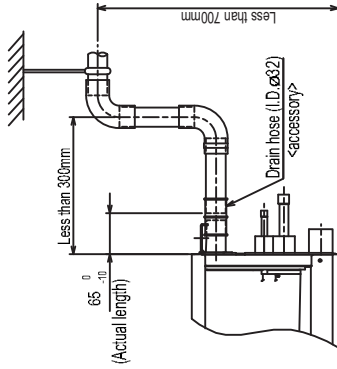


Model	A	B	C	D	E	F	G	① Gas pipe	② Liquid pipe
PEFY-P20,25,32VMA-E	700	754	800	660	7	600	658	ø12.7	ø6.35
PEFY-P40,50VMA-E	900	954	1000	860	9	800	858		
PEFY-P63,71,80VMA-E	1100	1154	1200	1060	11	1000	1058		
PEFY-P100,125VMA-E	1400	1454	1500	1360	14	1300	1358		
PEFY-P140VMA-E	1600	1654	1700	1560	16	1500	1558		

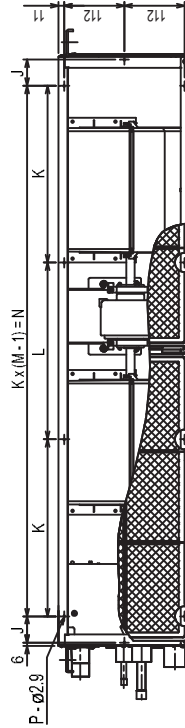


PEFY-P20, 25, 32, 40, 50, 63, 71, 80, 100, 125, 140VMA-E

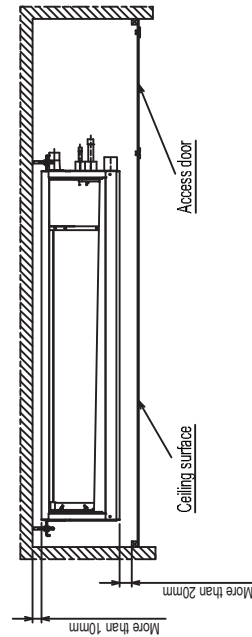
Unit : mm



Required space for service and maintenance



Model	H	J	K	L	M	N	P
PEFY-P20, 25, 32VMA-E	800	44	150	300			10
PEFY-P40VMA-E					4		10
PEFY-P50VMA-E	1000	54	260			780	10
PEFY-P63, 71, 80VMA-E	1200	49	330		4	990	10
PEFY-P100, 125VMA-E	1500	54	320		5	1280	12
PEFY-P140VMA-E	1700	54	370		5	1480	12

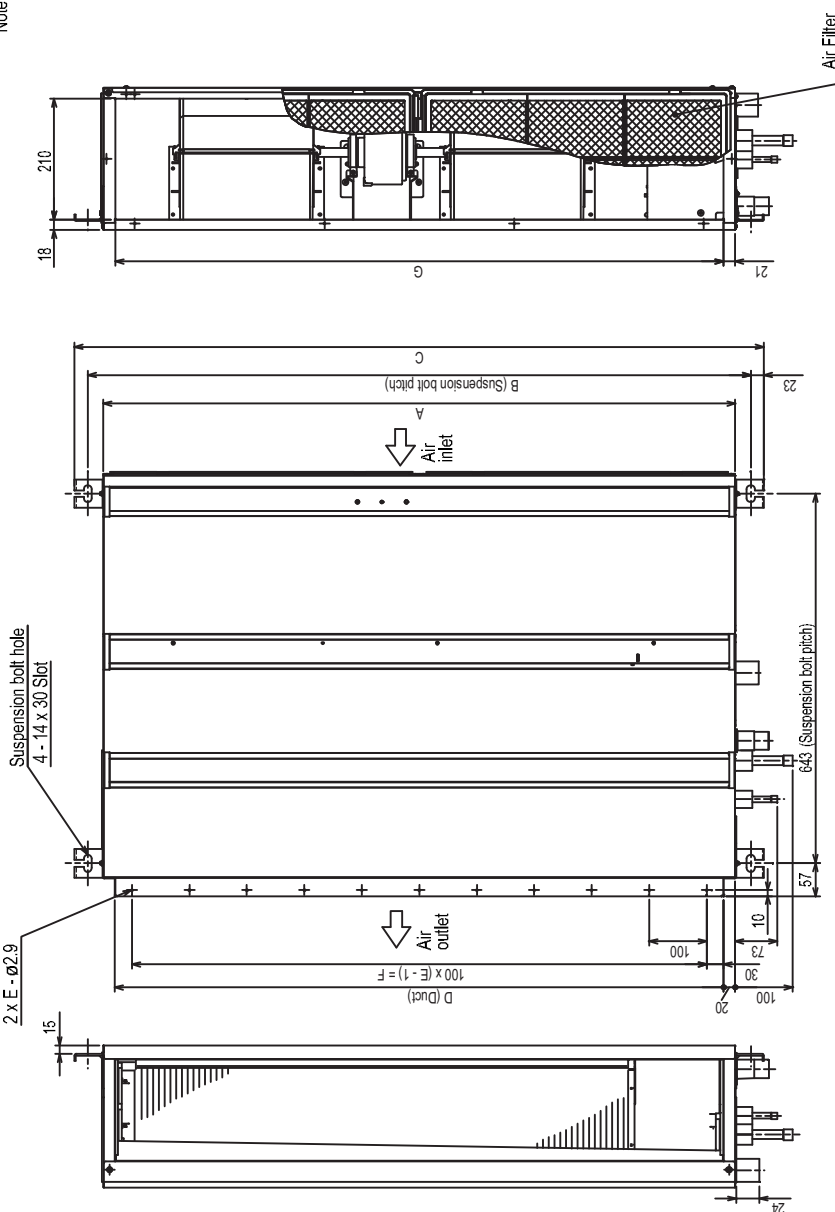


Make the access door at the appointed position properly for service maintenance.

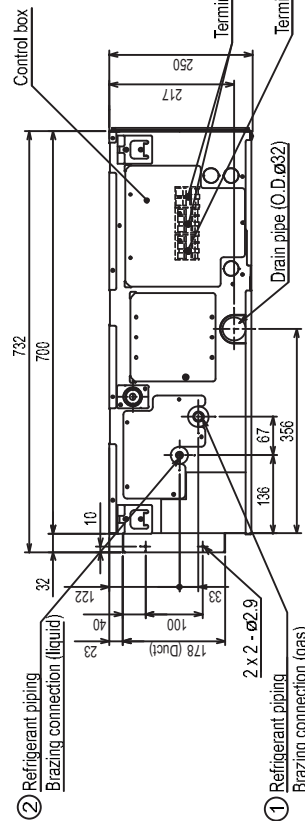
PEFY-P20, 25, 32, 40, 50, 63, 71, 80, 100, 125, 140VMAL-E

Unit : mm

- Note
1. Use M10 screw for the Suspension bolt (field supply).
 2. Keep the service space for the maintenance at the bottom.
 3. This chart indicates for PEFY-P63-71-80-100-125-140VMAL-E models, which have 2 fans. PEFY-P20-25-32-40-50VMAL-E models have 1 fan.
 4. In case of the inlet duct is used, remove the air filter (supply with the unit), then install the filter (field supply) at suction side.



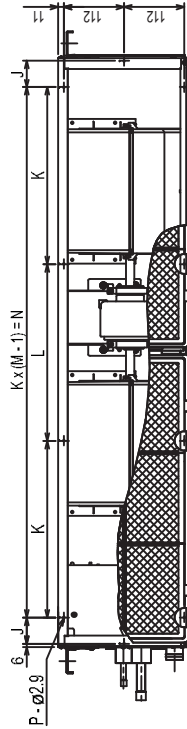
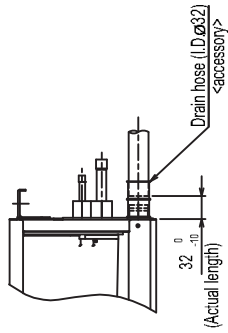
Model	A	B	C	D	E	F	G	① Gas pipe	② Liquid pipe
PEFY-P20-25-32VMAL-E	700	754	800	660	7	600	658	ø12.7	ø6.35
PEFY-P40-50VMAL-E	900	954	1000	860	9	800	858		
PEFY-P63-71-80VMAL-E	1100	1154	1200	1060	11	1000	1058		
PEFY-P100-125VMAL-E	1400	1454	1500	1360	14	1300	1358		
PEFY-P140VMAL-E	1600	1654	1700	1560	16	1500	1558		ø15.88



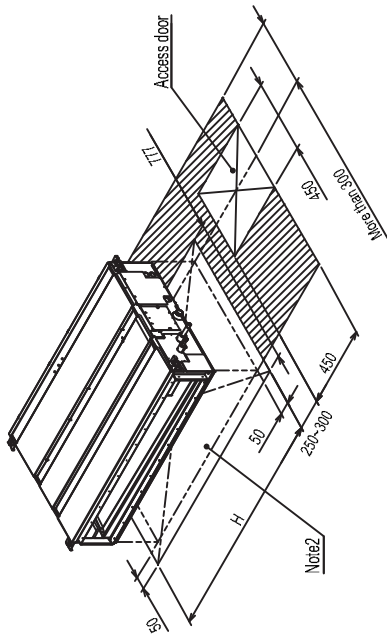
- ② Refrigerant piping Brazing connection (liquid)
① Refrigerant piping Brazing connection (gas)

PEFY-P20, 25, 32, 40, 50, 63, 71, 80, 100, 125, 140VMAL-E

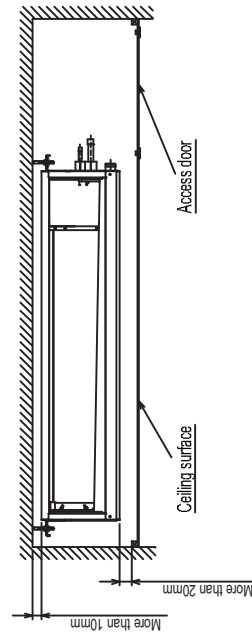
Unit : mm



Model	H	J	K	L	M	N	P
PEFY-P20, 25, 32VMAL-E	800	44	150	300			10
PEFY-P40VMAL-E					4	780	10
PEFY-P50VMAL-E	1000	54	260				
PEFY-P63, 71, 80VMAL-E	1200	49	330		4	990	10
PEFY-P100, 125VMAL-E	1500	54	320		5	1280	12
PEFY-P140VMAL-E	1700	54	370		5	1480	12



Required space for service and maintenance

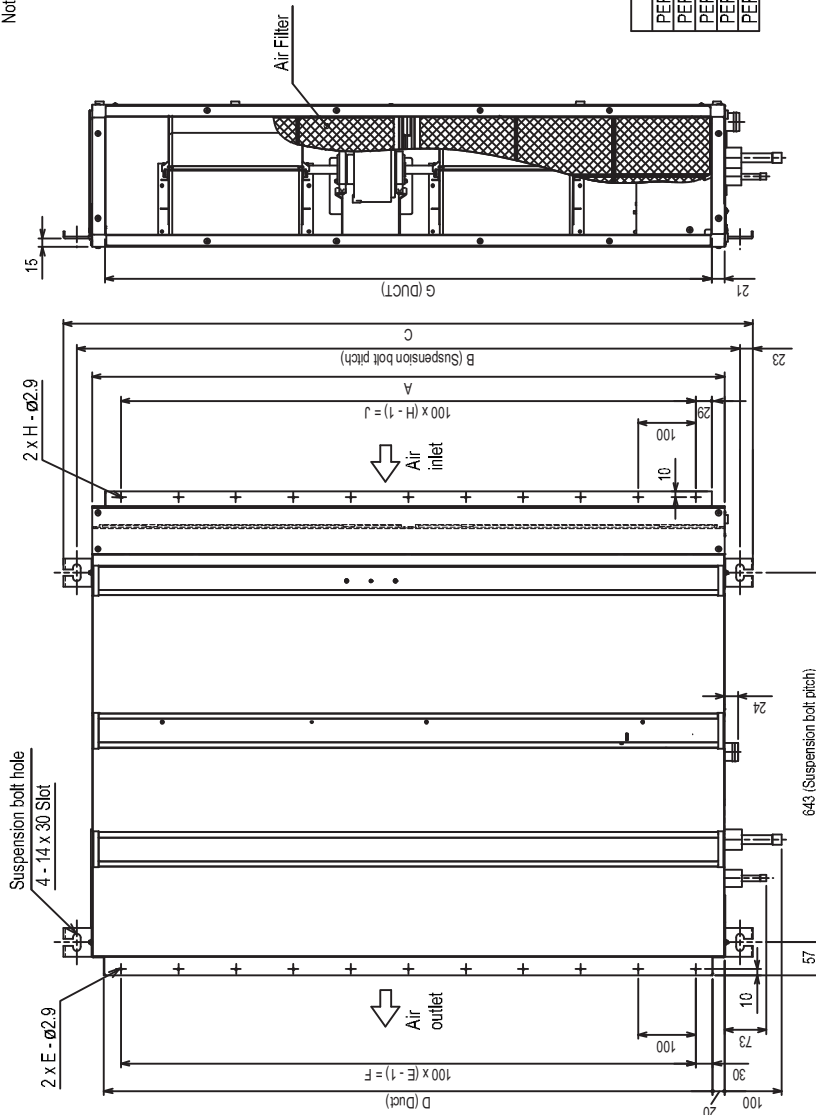


Make the access door at the appointed position properly for service maintenance.

PEFY-P20, 25, 32, 40, 50, 63, 71, 80, 100, 125, 140VMAL-E with filter box

Unit : mm

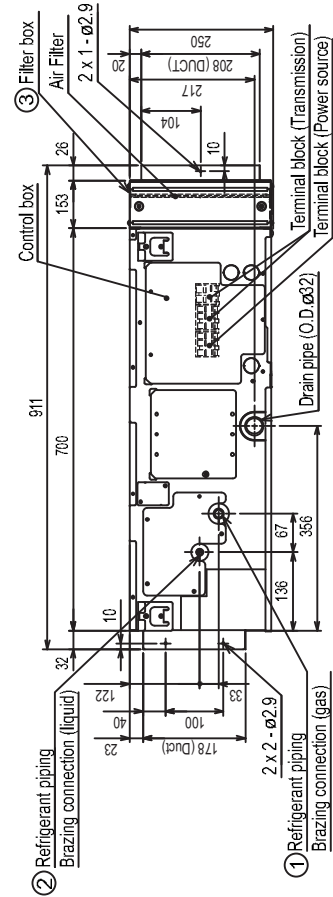
- Note 1. Use M10 screw for the Suspension bolt (field supply).
 2. Keep the service space for the maintenance at the bottom.
 3. This chart indicates for PEFY-P63, 71, 80, 100, 125, 140VMAL-E models, which have 2 fans. PEFY-P20, 25, 32, 40, 50VMAL-E models have 1 fan.
 4. Use air filter installed with indoor unit.



Model	① Gas pipe	② Liquid pipe	③ Filter box
PEFY-P20, 25, 32VMAL-E	ø12.7	ø6.35	PAC-KE97TB-E
PEFY-P40, 50VMAL-E			PAC-KE97TB-E
PEFY-P63, 71, 80VMAL-E	ø15.88	ø8.52	PAC-KE97TB-E
PEFY-P100, 125VMAL-E			PAC-KE97TB-E
PEFY-P140VMAL-E			PAC-KE97TB-E

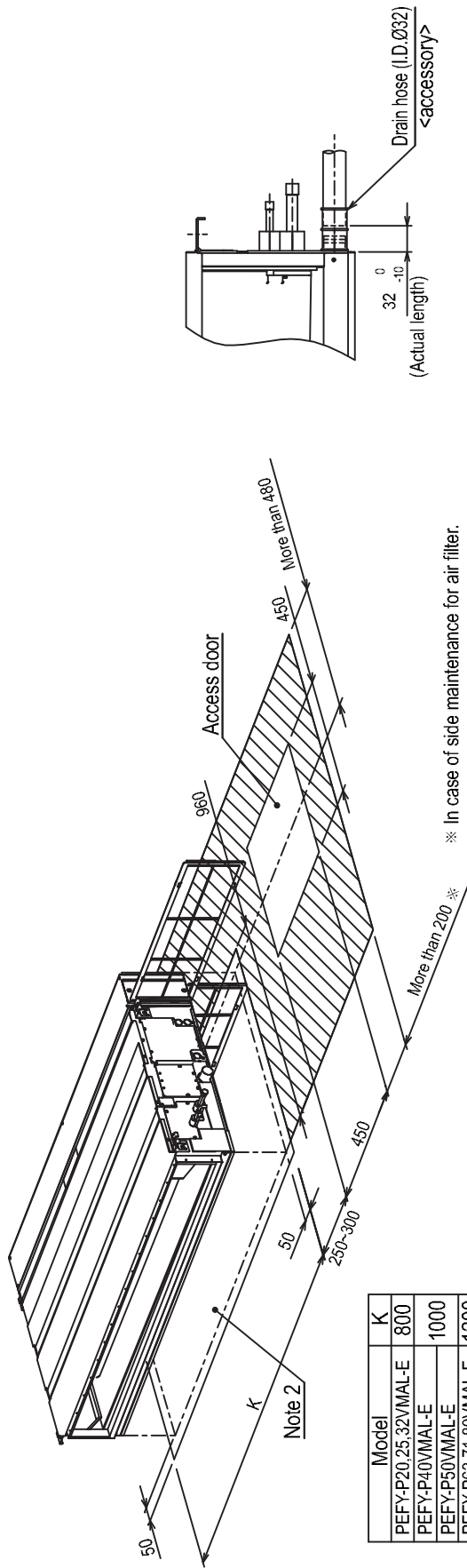
Model	A	B	C	D	E	F	G	H	J
PEFY-P20, 25, 32VMAL-E	700	754	800	660	7	600	658	7	600
PEFY-P40, 50VMAL-E	900	954	1000	860	9	800	858	9	800
PEFY-P63, 71, 80VMAL-E	1100	1154	1200	1060	11	1000	1058	11	1000
PEFY-P100, 125VMAL-E	1400	1454	1500	1360	14	1300	1358	14	1300
PEFY-P140VMAL-E	1600	1654	1700	1560	16	1500	1558	16	1500

<Suction flter box built-in specification>

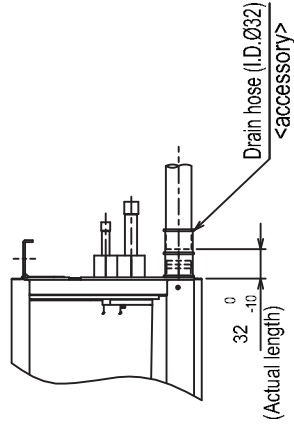


PEFY-P20, 25, 32, 40, 50, 63, 71, 80, 100, 125, 140VMAL-E with filter box

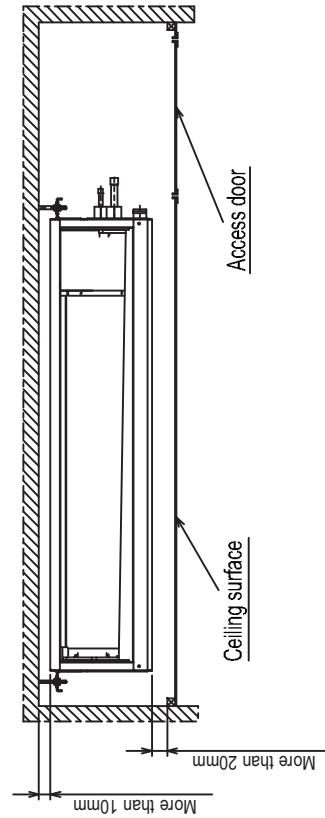
Unit : mm



Model	K
PEFY-P20,25,32VMAL-E	800
PEFY-P40VMAL-E	1000
PEFY-P50VMAL-E	1200
PEFY-P63,71,80VMAL-E	1500
PEFY-P100,125VMAL-E	1500
PEFY-P140VMAL-E	1700



Required space for service and maintenance



Make the access door at the appointed position properly for service maintenance.