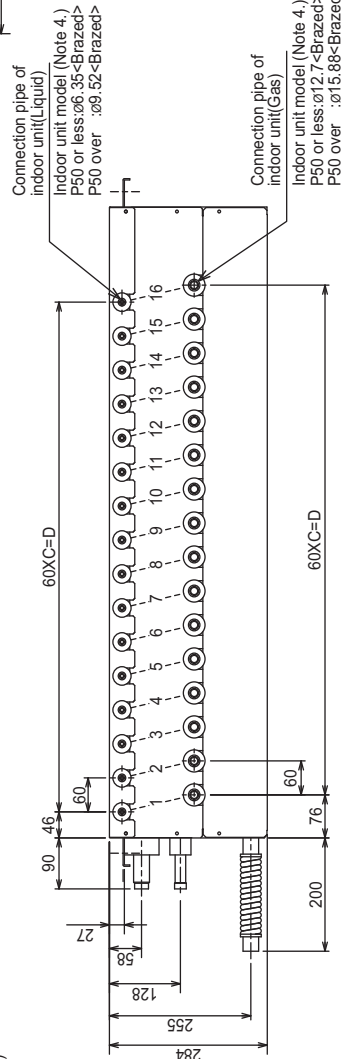
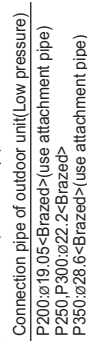
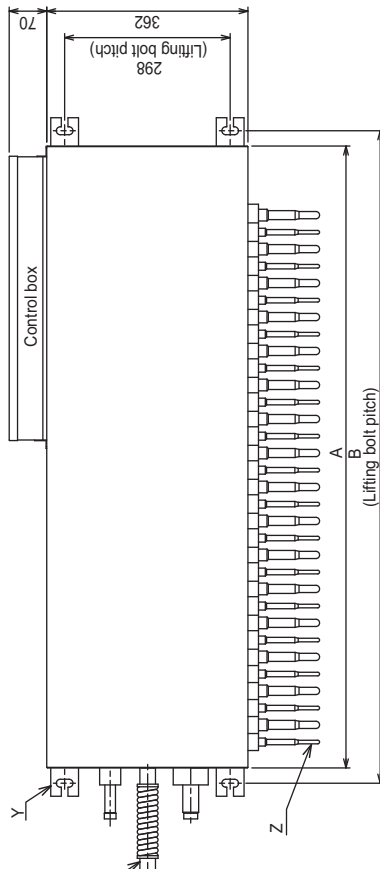
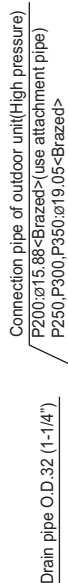
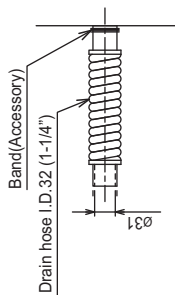
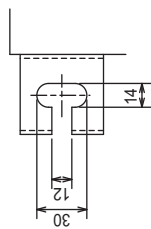
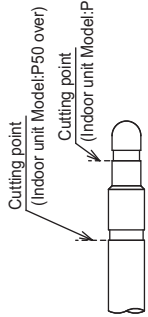


## CMB-P104, 105, 106, 108, 1010, 1013, 1016V-G1

Unit : mm

- <Accessories>
- Refrigerant<Low pressure> conn. pipe.....2pcs.
  - Refrigerant<High pressure> conn. pipe.....1pc.
  - Drain hose I.D.32 (1-1/4").....1pc.
  - Hose band.....1pc.
  - Tie band.....1pc.

- Note 1. Suspension bolt(φ10), washer(M10), and nut(M10) prepare in the field.  
 2. Take notice of service space as follows.  
 (Please give attention not to occupy service space by letting ducts and pipes through.)  
 3. Install this product in a location where noise (refrigerant noise) emitted by the unit will not disturb the neighbors.  
 (For use in quiet environments with low background noise, position the BC CONTROLLER at least 5m away from any indoor units.)  
 4. Refer to the Installation Manual for refrigerant piping diameter size when connecting plural indoor units with 1 branch.



	A	B	C	D
CMB-P104V-G1			3	180
CMB-P105V-G1			4	240
CMB-P106V-G1	648	702	5	300
CMB-P108V-G1			7	420
CMB-P1010V-G1			9	540
CMB-P1013V-G1			12	720
CMB-P1016V-G1	1098	1152	15	900

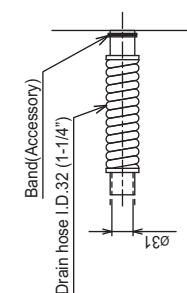
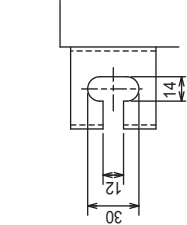
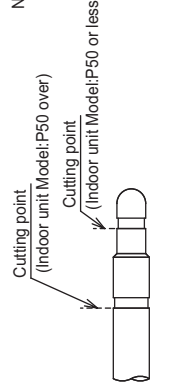
BC

CMB-P108, 1010, 1013, 1016V-GA1

Unit : mm

- <Accessories>
- Refrigerant<Low pressure> conn. pipe.....1pc.
  - Refrigerant<High pressure> conn. pipe...2pcs.
  - Drain hose I.D.32 (1-1/4").....1pc.
  - Hose band.....1pc.
  - Tie band.....1pc.

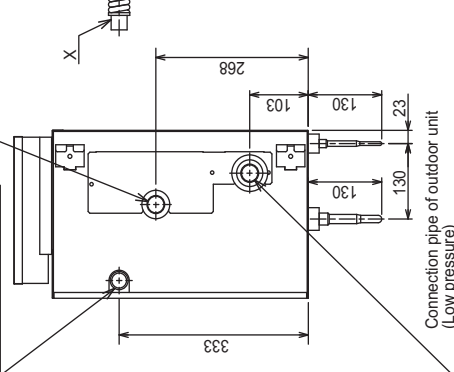
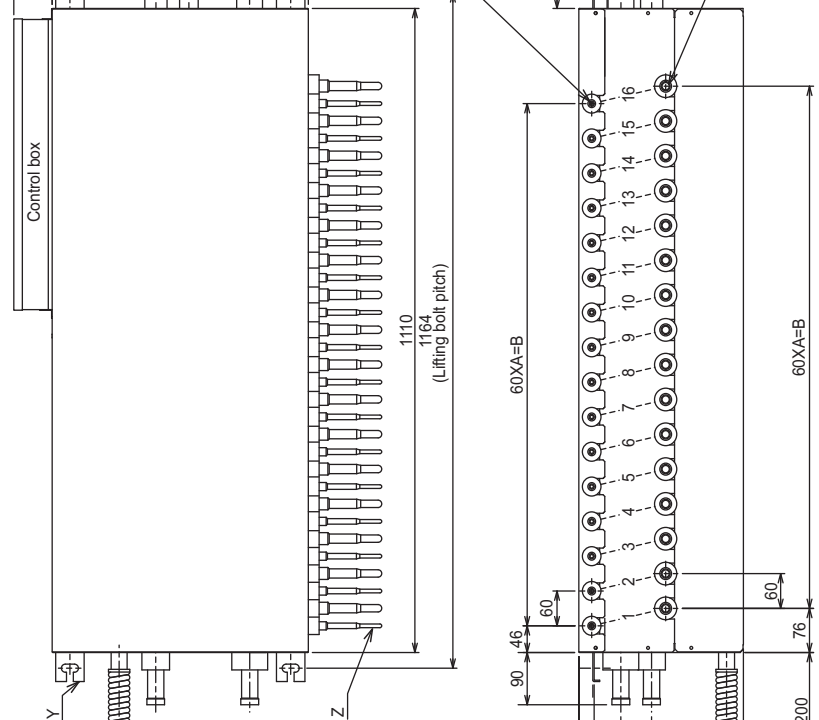
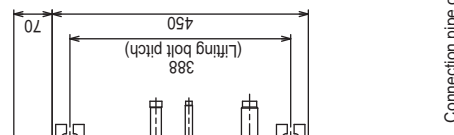
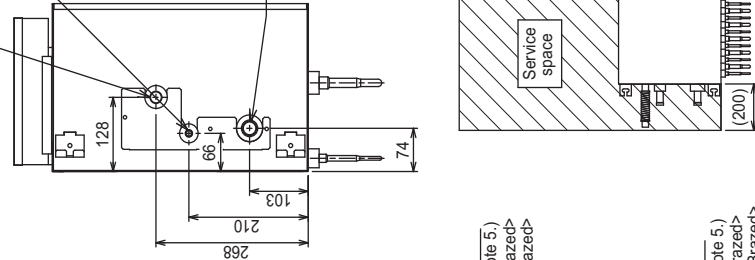
- Note 1. Suspension bolt( $\phi$ 10), washer(M10), and nut(M10) prepare in the field.  
 2. Take notice of service space as follows.  
 (Please give attention not to occupy service space by letting ducts and pipes through.)  
 3. Please take service space for connection pipe of SUB BC CONTROLLER.  
 4. Install this product in a location where noise (refrigerant noise) emitted by the unit will not disturb the neighbors.  
 (For use in quiet environments with low background noise, position the BC CONTROLLER at least 5m away from any indoor units.)  
 5. Refer to the Installation Manual for refrigerant piping diameter size when connecting plural indoor units with 1 branch.



Connection pipe of SUB BC CONTROLLER (High pressure)  
 Total capacity of indoor unit at SUB BC CONTROLLER (use attachment pipe of SUB BC CONTROLLER)  
 P200 or less:  $\phi$ 15.88<Brazed>  
 P350 or less:  $\phi$ 19.05<Brazed>  
 P350 over:  $\phi$ 22.2<Brazed>  
 (use attachment pipe of JOINT<option>)

Connection pipe of SUB BC CONTROLLER (Liquid)  
 Total capacity of indoor unit at SUB BC CONTROLLER  
 P300 or less:  $\phi$ 9.52<Brazed>  
 P400 or less:  $\phi$ 12.7<Brazed>  
 (use attachment pipe of SUB BC CONTROLLER)  
 P400 over:  $\phi$ 15.88<Brazed>  
 (use attachment pipe of JOINT<option>)

Connection pipe of SUB BC CONTROLLER (Low pressure)  
 Total capacity of indoor unit at SUB BC CONTROLLER  
 P200 or less:  $\phi$ 19.05<Brazed>  
 (use attachment pipe of SUB BC CONTROLLER)  
 P300 or less:  $\phi$ 22.2<Brazed>  
 P300 over:  $\phi$ 28.6<Brazed>  
 (use attachment pipe of SUB BC CONTROLLER)



Connection pipe of indoor unit (Liquid)  
 Indoor unit model (Note 5)  
 P50 or less:  $\phi$ 6.35<Brazed>  
 P50 over:  $\phi$ 9.52<Brazed>

Connection pipe of indoor unit (Gas)  
 Indoor unit model (Note 5)  
 P50 or less:  $\phi$ 12.7<Brazed>  
 P50 over:  $\phi$ 15.88<Brazed>

	A	B
CMB-P108V-GA1	7	420
CMB-P1010V-GA1	9	540
CMB-P1013V-GA1	12	720
CMB-P1016V-GA1	15	900

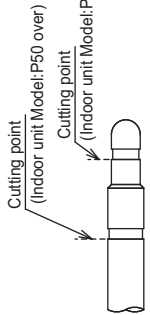
BC

## CMB-P1016V-HA1

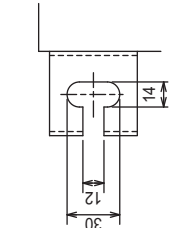
Unit : mm

- <Accessories>
- Refrigerant<Low pressure> conn. pipe.....1pc.
  - Drain hose I.D.32 (1-1/4").....1pc.
  - Hose band.....1pc.
  - Tie band.....1pc.

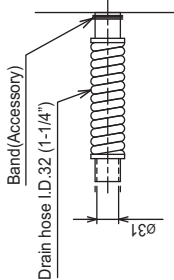
Note 1. Suspension bolt(φ10), washer(M10), and nut(M10) prepare in the field.  
 2. Take notice of service space as follows.  
 (Please give attention not to occupy service space by letting ducts and pipes through.)  
 3. Please take service space for connection pipe of SUB BC CONTROLLER.  
 4. When using an outdoor unit-28HP(P700) or more, use this product.  
 5. Install this product in a location where noise (refrigerant noise) emitted by the unit will not disturb the neighbors.  
 (For use in quiet environments with low background noise, position the BC CONTROLLER at least 5m away from any indoor units.)  
 6. Refer to the Installation Manual for refrigerant piping diameter size when connecting plural indoor units with 1 branch.



Detail of Z section



Detail of Y section

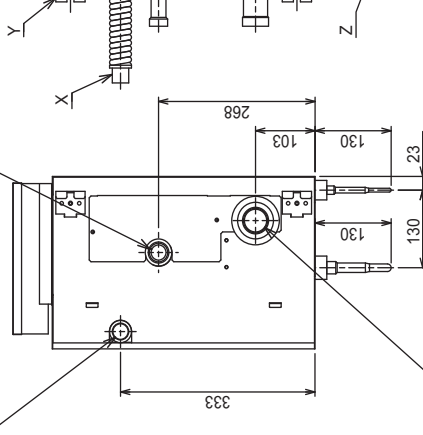
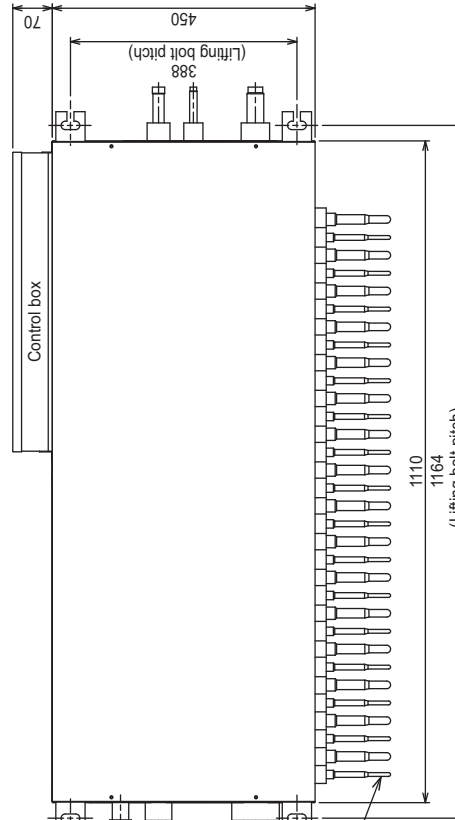
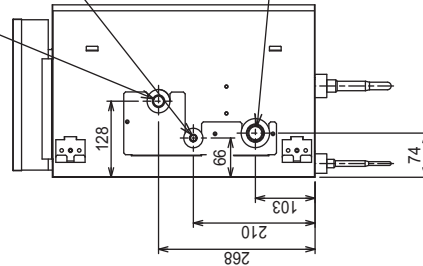


Detail of X section

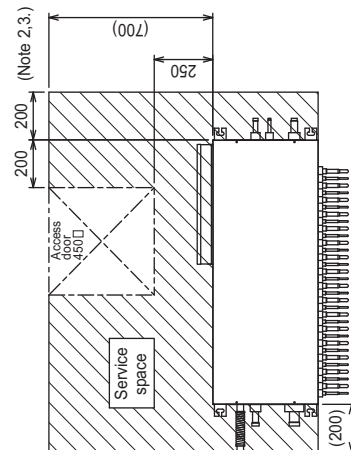
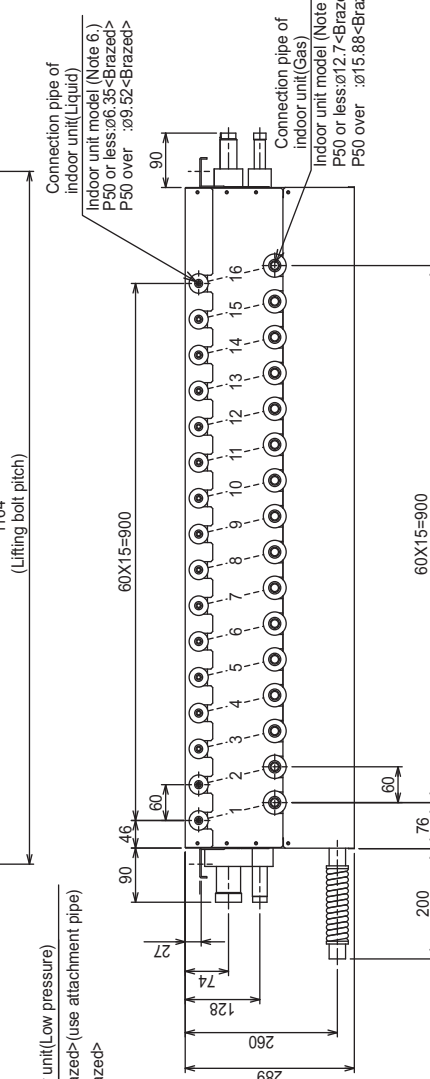
Connection pipe of SUB BC CONTROLLER (High pressure)  
 Total capacity of indoor unit at SUB BC CONTROLLER  
 P200 or less:φ15.88<Brazed>  
 (use attachment pipe of SUB BC CONTROLLER)  
 P300 or less:φ19.05<Brazed>  
 P350 or less:φ22.2<Brazed>  
 (use attachment pipe of JOINT-option>)

Connection pipe of SUB BC CONTROLLER (Liquid)  
 Total capacity of indoor unit at SUB BC CONTROLLER  
 P300 or less:φ9.52<Brazed>  
 P400 or less:φ12.7<Brazed>  
 (use attachment pipe of SUB BC CONTROLLER)  
 P400 over:φ15.88<Brazed>  
 (use attachment pipe of JOINT-option>)

Connection pipe of SUB BC CONTROLLER (Low pressure)  
 Total capacity of indoor unit at SUB BC CONTROLLER  
 P200 or less:φ19.05<Brazed>  
 (use attachment pipe of SUB BC CONTROLLER)  
 P300 or less:φ22.2<Brazed>  
 P300 over:φ28.58<Brazed>  
 (use attachment pipe of SUB BC CONTROLLER)



Connection pipe of outdoor unit (Low pressure)  
 P700 to P800 : φ34.93<Brazed> (use attachment pipe)  
 P850, P900 : φ41.28<Brazed>



BC

## CMB-P104, 108V-GB1

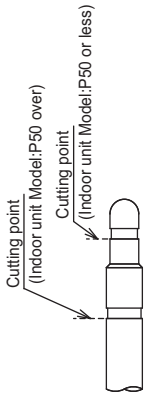
Unit : mm

<Accessories>

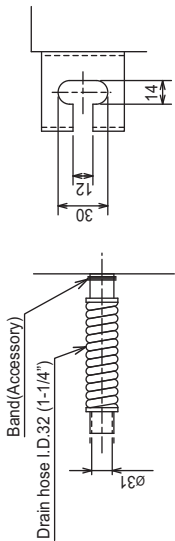
- Refrigerant<Low pressure> conn. pipe.....4pcs.
- Refrigerant<High pressure> conn. pipe.....2pcs.
- Refrigerant<Liquid> conn. pipe.....2pcs.
- Drain hose I.D.32 (1-1/4").....1pc.
- Hose band.....1pc.
- Tie band.....1pc.

Note 1. Suspension bolt(φ10), washer(M10), and nut(M10) prepare in the field.

2. Take notice of service space as follows.  
(Please give attention not to occupy service space by letting ducts and pipes through.)
3. Can't use singleness. (MAIN BC CONTROLLER is necessary.)
4. Install this product in a location where noise (refrigerant noise) emitted by the unit will not disturb the neighbors.  
(For use in quiet environments with low background noise, position the BC CONTROLLER at least 5m away from any indoor units.)
5. Refer to the Installation Manual for refrigerant piping diameter size when connecting plural indoor units with 1 branch.



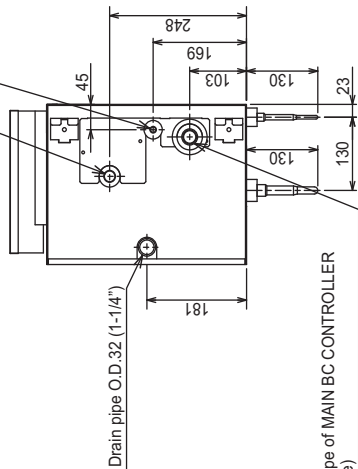
Detail of Z section



Detail of Y section

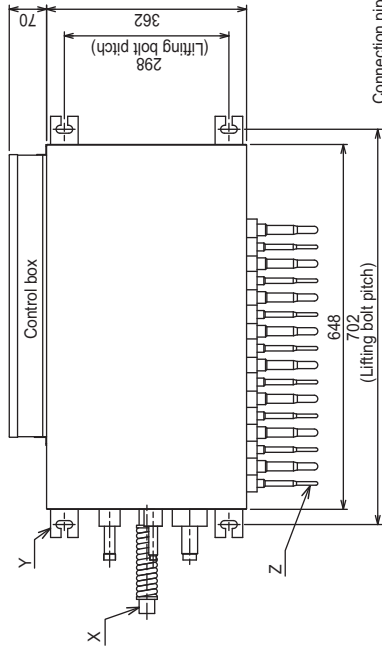
Connection pipe of MAIN BC CONTROLLER (High pressure)

Total capacity of indoor units at SUB BC CONTROLLER  
P200 or less:φ15.88<Brazed>(use attachment pipe)  
P200 over:φ19.05<Brazed>



Connection pipe of MAIN BC CONTROLLER (Low pressure)

Total capacity of indoor units at SUB BC CONTROLLER  
P200 or less:φ19.05<Brazed>(use attachment pipe)  
P300 or less:φ22.2<Brazed>  
P300 over:φ28.6<Brazed>(use attachment pipe)



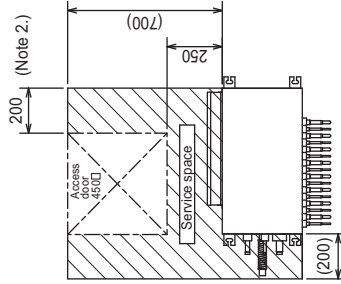
Connection pipe of indoor unit(Liquid)

Indoor unit model (Note 5.)  
P50 or less:φ6.35<Brazed>  
P50 over :φ9.52<Brazed>

Connection pipe of indoor unit(Gas)

Indoor unit model (Note 5.)  
P50 or less:φ12.7<Brazed>  
P50 over :φ15.88<Brazed>

	A	B
CMB-P104V-GB1	3	180
CMB-P108V-GB1	7	420



## CMB-P1016V-HB1

Unit : mm

- <Accessories>
- Refrigerant<Low pressure> conn. pipe.....4pcs.
  - Refrigerant<High pressure> conn. pipe.....2pcs.
  - Refrigerant<Liquid> conn. pipe.....2pcs.
  - Drain hose I.D.32 (1-1/4").....1pc.
  - Hose band.....1pc.
  - Tie band.....1pc.

Note1.Suspension bolt(φ10),washer(M10),and nut(M10) prepare in the field.

2. Take notice of service space as follows.

(Please give attention not to occupy service space by letting ducts and pipes through.)

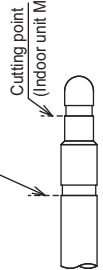
3.Can't use singleness.(MAIN BC CONTROLLER is necessary)

4. Install this product in a location where noise (refrigerant noise) emitted by the unit will not disturb the neighbors.

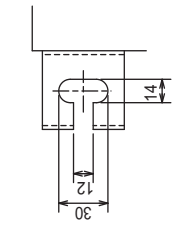
(For use in quiet environments with low background noise, position the BC CONTROLLER at least 5m away from any indoor units.)

5. Refer to the Installation Manual for refrigerant piping diameter size when connecting plural indoor units with 1 branch.

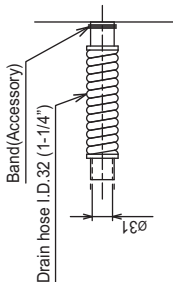
Cutting point  
(Indoor unit Model:P50 over)



Detail of Z section



Detail of Y section

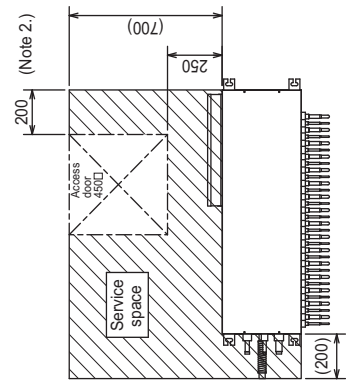
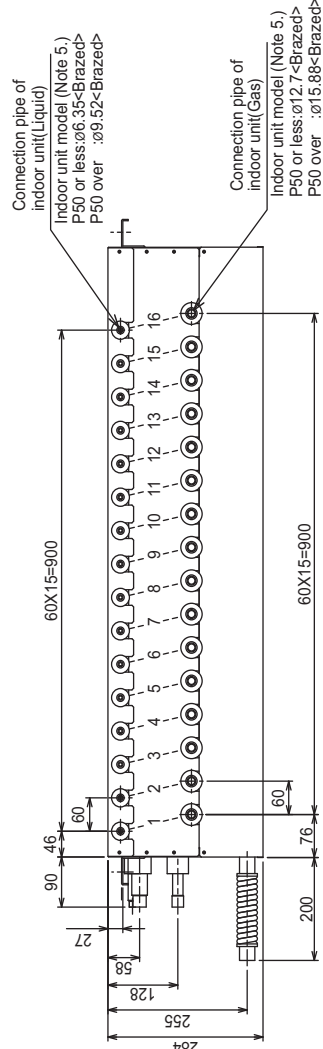
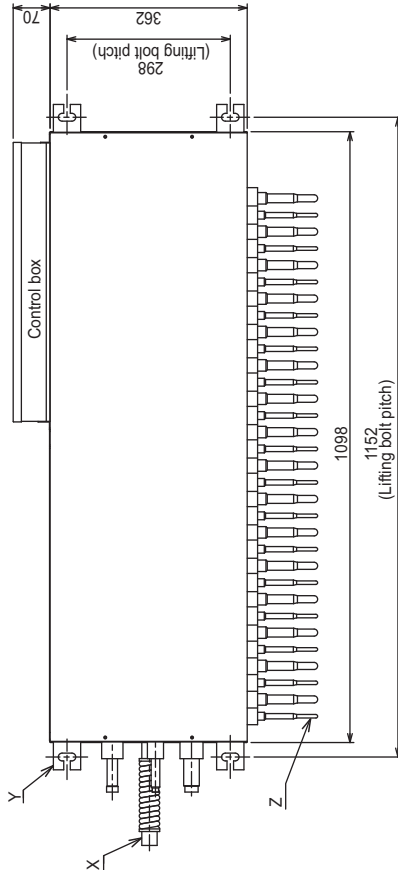


Detail of X section

Connection pipe of MAIN BC CONTROLLER(Liquid)  
Total capacity of indoor units at SUB BC CONTROLLER  
P300 or less:φ9.52 <Brazed>  
P300 over :φ12.7 <Brazed>(use attachment pipe)

Connection pipe of MAIN BC CONTROLLER  
(High pressure)  
Total capacity of indoor units at SUB BC CONTROLLER  
P200 or less:φ15.88<Brazed>(use attachment pipe)  
P200 over :φ19.05<Brazed>

Connection pipe of MAIN BC CONTROLLER  
(Low pressure)  
Total capacity of indoor units at SUB BC CONTROLLER  
P200 or less:φ19.05<Brazed>(use attachment pipe)  
P300 or less:φ22.2 <Brazed>  
P300 over :φ28.58<Brazed>(use attachment pipe)



BC